



Submittal Manager

FOR ELECTRICAL CONTRACTORS

TRIM 50-75% OFF TIME IT TAKES TO CREATE SUBMITTALS

How it works: Our database contains over a million up-to-date catalog pages, installation instructions, specification and MSDS sheets for the electrical industry. You simply load a list of UPC numbers and it's matched against our database. Matches are returned in seconds with the most current catalog pages so you no longer have to hunt down every last one and are automatically filed in the MasterFormat®.

WE MAKE IT EASY

Every job is different, but many times the materials used aren't. Submittal Manager™ lets you store frequently used and edited pages. These user-created 'templates' can then be reused in future jobs so you don't need to repeat the same work over and over on parts you use all the time.

To really speed things up, upload a part list extracted directly from your estimating or purchasing system and have Submittal Manager™ do the work for you. During the upload process, for each part that Submittal Manager recognizes, its associated catalog page is automatically added to your submittal package. A part list of several hundred items

can be used to retrieve all the needed catalog pages in seconds vs. multitude of hours it would typically take to find the pages individually.

A COMPLETE SUBMITTAL SOLUTION

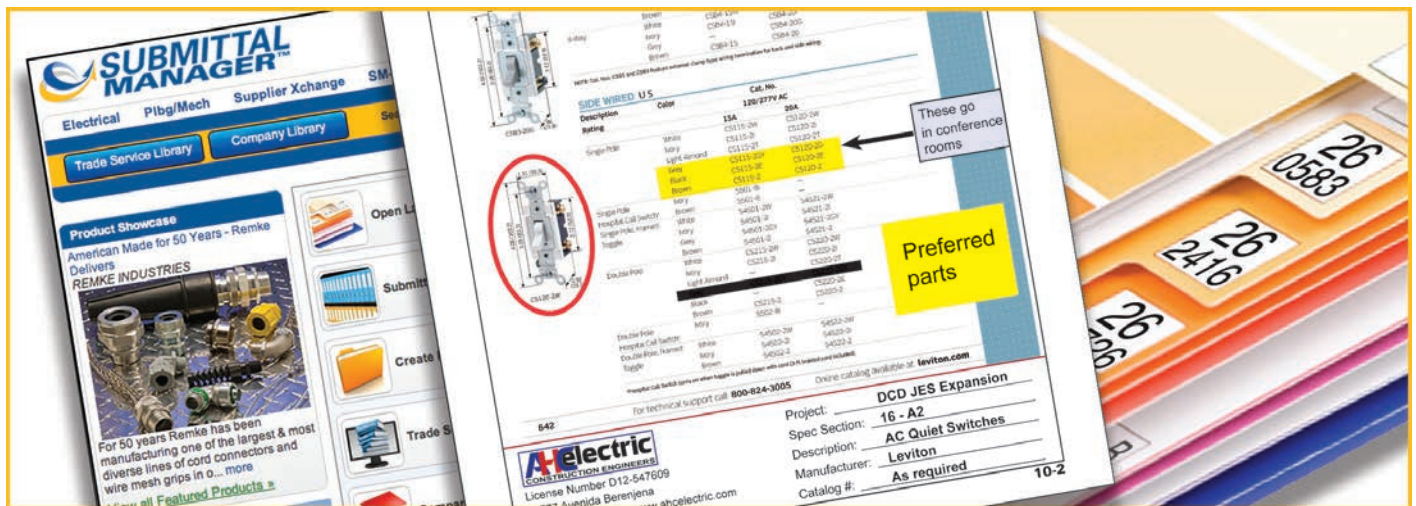
We include mark-up tools that are comprehensive but simple to use so you can point arrows, highlight or sticky-note as much as you need to. Present your submittal package professionally using our built-in formatting options: Table of Contents, page numbering stamps, or even a company logo added to every page. You can include header and footer sections, cover pages, dividers and tabs to make it a very clean document that's easy to read and one that will impress your customer. Send it via email as a PDF to not only save time, but also save on paper and shipping costs.

ORGANIZE & MANAGE SUBMITTALS EFFICIENTLY

Organizing the countless documents associated with a submittal package can be quite a challenge. That's why Submittal Manager is constructed to automatically organize your documents based on the industry standard Construction Specifications Institute (CSI) MasterFormat®.

Top Benefits

- Library of 1.4 million electrical items with catalog pages & technical specifications
- Uploading your item list to Submittal Manager automatically finds and adds corresponding catalog pages directly to your submittal
- Create templates of your most frequently used items so that you can quickly copy them into new submittals
- Classify documents to the industry standard CSI MasterFormat®
- Comprehensive tools to mark-up your PDFs
- Formatting options allow you to add job information, company logos, headers/ footers and numbers to each page



DYNAMIC TOOLS AT YOUR DISPOSAL

Not only do you have access to over a million up-to-date catalog pages (such as this sample page) from our database, but we also provide you with a host of dynamic tools to mark them up to your specifications. You can even upload your own image and stamp it on to the page wherever you want. Shown here are just a few examples of the ways you can mark up a document.

Submittal Manager generates a table of contents and automatically keeps it up to date as you make changes. This saves you countless hours when the addition of last-minute pages would normally mean having to completely redo the whole table of contents. If you want to shave up to 75% off the time it takes to produce your submittals, examine the tools highlighted on this image.

Spec #	Section	Doc Name	Doc #
		Table of Contents	
26 05 29	Hangers and Supports for Electrical Systems		
ERICO, INC.	SCREW ON BOX SUPPORT		1
26 05 33.13	Conduit for Electrical Systems		
RACO	EMT FITTINGS, STEEL-SET SCREW CONNECTORS		2
26 05 33.16	Boxes for Electrical Systems		
RACO	OCTAGON BOXES 2-1/8" DEEP		3
RACO	SQUARE BOXES 1-1/4" AND 1-1/2" DEEP		4
RACO	SWITCH BOXES TWO-GANG-2-1/8" DEEP		5
26 05 83	Wiring Connections		
3M	ELECTRICAL CONNECTORS		6
26 09 16	Electrical Controls and Relays		
SQUARE D	FRACTIONAL HORSEPOWER MANUAL STARTER, NON-REVERSING_2510FG5		7
26 27 26	Wiring Devices		
HUBBELL WIRING SYSTEMS	NYLON AND METAL DUPLEX RECEPTACLE & GFCI, SURGE RECEPTACLES AND STYLE LINE DEVICE PLATES		8
HUBBELL WIRING SYSTEMS	NYLON AND METAL TOGGLE SWITCH PLATES		9
LEVITON	INDUSTRIAL GRADE STRAIGHT BLADE RECEPTACLES		10
LEVITON	AC QUIET SWITCHES		11
26 51 13	Interior Lighting Fixtures, Lamps, And Ballasts		
PHILIPS LIGHTING	MASTERCOLOR CERAMIC METAL HALIDE ED-17 LAMPS		12
PHILIPS LIGHTING	PROTECTED METAL HALIDE "O" RATED LAMPS		13

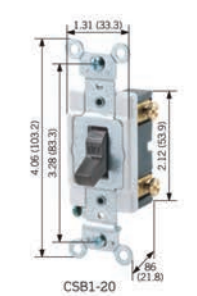
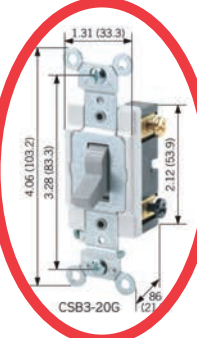
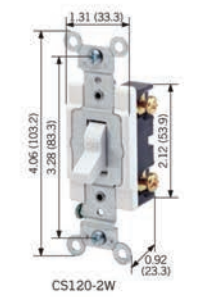
AHC Electric Construction Engineering, Ph 857-245-9955, Fax 857-245-9922

Table of Contents
Auto-generates and auto-updates.

Hotlinked PDFs
Create PDFs with automatically linked manufacturer names and document titles.

Switches

Commercial Grade


Preferred parts

BACK AND SIDE WIRED US			
Description	Color	Cat. No.	
		15A	20A
Rating 120/277V AC			
Single Pole	White	CSB1-15W	CSB1-20W
	Ivory	CSB1-15I	CSB1-20I
	Light Almond	CSB1-15T	CSB1-20T
	Grey	CSB1-15G	CSB1-20G
	Brown	CSB1-15	CSB1-20
Double Pole	White	CSB2-15W	CSB2-20W
	Ivory	CSB2-15I	CSB2-20I
	Light Almond	CSB2-15T	CSB2-20T
	Grey	—	CSB2-20G
	Brown	CSB2-15	CSB2-20
3-Way	White	CSB3-15W	CSB3-20W
	Ivory	CSB3-15I	CSB3-20I
	Light Almond	CSB3-15T	CSB3-20T
	Grey	—	CSB3-20G
	Brown	CSB3-15	CSB3-20
4-Way	White	CSB4-15W	CSB4-20W
	Ivory	CSB4-15I	CSB4-20I
	Grey	—	CSB4-20G
	Brown	CSB4-15	CSB4-20

NOTE: Cat. Nos. CSB1 and CSB3 feature external clamp-type wiring termination for back and side wiring.

SIDE WIRED US			
Description	Color	Cat. No.	
		15A	20A
Rating 120/277V AC			
Single Pole	White	CS115-2W	CS120-2W
	Ivory	CS115-2I	CS120-2I
	Light Almond	CS115-2T	CS120-2T
	Grey	CS115-2GY	CS120-2G
	Black	CS115-2E	CS120-2E
	Brown	CS115-2	CS120-2
Single Pole	Ivory	5501-8I	—
Hospital Call Switch*	Brown	5501-8	—
Single Pole, Framed	White	54501-2W	54521-2W
Toggle	Ivory	54501-2I	54521-2I
	Grey	54501-2GY	54521-2GY
	Brown	54501-2	54521-2
Double Pole	White	CS215-2W	CS220-2W
	Light Almond	—	CS220-2T
	Grey	CS215-2GY	CS220-2GY
	Black	—	CS220-2E
	Brown	CS215-2	CS220-2
Double Pole	Ivory	5502-8I	—
Hospital Call Switch*	White	54502-2W	54522-2W
Double Pole, Framed	Ivory	54502-2I	54522-2I
Toggle	Brown	54502-2	54522-2

*Hospital Call Switch turns on when toggle is pulled down with cord (3-ft braided cord included).



License Number D12-547609
34777 Avenida Berenjena
Franklin, CA 92530 www.ahcelectric.com
Ph 857-245-9955, FAX 857-245-9922

Project: DCD JES Expansion

Spec Section: 16 - A2

Description: AC Quiet Switches

Manufacturer: Leviton

Catalog #: _____

10-2

Sticky Notes
Iconic yellow notes allow you to draw attention to your comments.

Arrows
Use arrows to point to a specific item or image.

Text boxes
Text can be added in a variety of sizes and fonts.

Geometric Shapes
Create and format geometric shapes to emphasize certain areas.

Highlighter
Apply highlighting to an area. Several colors available, including grayscale for better printing if in black and white.

Blackout
Strikethrough allows you to cross things out completely.

Headers & Footers
Header and/or footer templates can be set up to include your company information and logo, as well as vital project details. The header/footer is added to every page, and product specific information is automatically applied.

Pagination
Automatically number the pages of your entire submittal. Switch things up, and the page numbers will automatically adjust.

Submittal Manager

FOR ELECTRICAL CONTRACTORS

ADDITIONAL BENEFITS

- Uploading an item list automatically finds and adds corresponding catalog pages to your submittal
- Classifies documents to the industry standard MasterFormat
- Create submittal templates for frequently used items
- Comprehensive tools to mark-up your PDFs
- Increase professionalism by adding a Table of Contents, or job information, company logos, headers/footers and numbers to each page
- Other documents in the library include: MSDS sheets, product specifications, and installation instructions
- Trim paper, printing, and shipping costs by emailing submittal packages
- You have ultimate control to change the names, sequence, and categorization of documents and determine who can edit the package
- Submittals are permanently archived for instant access
- Database is constantly updated with information direct from manufacturers

SYSTEM REQUIREMENTS

- Internet connection
- Microsoft® Internet Explorer 8.0 or greater Web browser, Chrome, Firefox
- Adobe® Acrobat® Reader 5.0 or greater

TRADE SERVICE
A TRIMBLE COMPANY
13280 Evening Creek Drive South, Suite 200
San Diego, CA 92128
USA

www.tradeservice.com
800-701-7003
contractor_sales@tradeservice.com

© 2016, Trade Service Company, LLC. All rights reserved. Trimble and the Triangle & Globe logo are trademarks of Trimble Navigation Limited, registered in the United States and other countries. All other trademarks are the property of their respective owners.